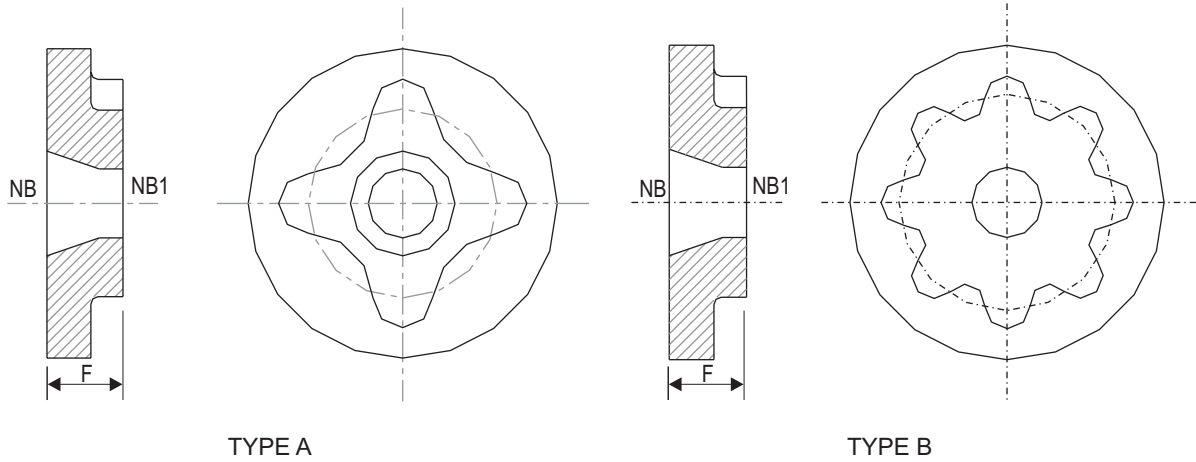


REDUCING FLANGES



SPECIFICATIONS FOR FEP / PFA LINED REDUCING FLANGES

NB	NB1	F
20	15	35
25	20	35
25	15	35
32	25	35
32	20	35
40	32	35
40	20	35
50	40	35
50	32	35
50	25	35
50	20	35
65	50	35
65	40	35
65	20	35

NB	NB1	F
80	65	45
80	50	45
80	40	45
80	25	45
100	80	45
100	65	45
100	50	45
100	40	45
100	25	45
125	100	45
125	80	45
125	50	45
150	125	54
150	100	54

NB	NB1	F
150	80	54
200	150	54
200	125	54
200	100	54
200	80	54
200	50	54
250	200	54
250	150	54
250	100	54
250	80	54
300	250	54
300	200	54
300	100	54
350	300	60
350	200	60
350	100	60

1. All dimensions are in millimeters.
2. Tolerance as follows:
F=+0.0/-1.0 mm.
3. Intermediate combinations are available on special request.